

Telpar Stealth MTP 2822

**2 in Direct Thermal Printer with
Print Speed of 8 In/sec and
Multiple Interfaces
USB, Network, Serial, Parallel**

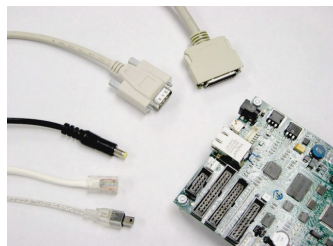
The Telpar Stealth MTP2822 2 inch direct thermal printer is the one of newest members of the "Best-in-Class" Stealth MTP-2200 Series thermal printer line.

This new 2 inch printer features; USB, network, serial and parallel interface connectivity, a faster print speed (up 8 inches per second), and wider operating temperature range, allowing for increased productivity in a wider range of self service and kiosk printer applications; including gaming, self service vending, receipt ticketing, ATM, as well as many remote printing environments.

The Stealth MTP-2822 thermal printer now offers many key enhancements to the MTP-2200 printer series while delivering Telpar's tradition of durable and reliable printers. The new printer has the same footprint, but now uses a newly designed print mechanism to provide double the print speed and print head wear life.

Multiple Connectivity Interfaces

The Stealth MTP-2822 thermal printers now offers additional connectivity options so users can easily integrate through USB, network, serial, and parallel connectivity. Now customers have more flexibility with a choice of network interfaces that enable faster data transfer.



Print Speed up to 8 Inch per Second

The new Stealth MTP-2822 printer has a 2-inch (58 - 60 MM) paper width, and utilizes a faster Fujitsu printer mechanism that has print speed up to 8 inches per sec and 200 dots/mm resolution. It features a 6" (152.4 mm) diameter paper supply that yields approximately 550 feet (169 m) of output allowing for maximum integration flexibility. If paper rolls don't fit your applications this unit is capable of using fan fold paper.

TELPAR
Your Printer Solutions Company™

MODULAR THERMAL PRINTER

- Direct Thermal Printer Offers an 2 inch (60MM) Paper Width
- 200 DPI (8 DPMM) Resolution
- Print Speed of 8 inch Per Second
- Multiple Interfaces: USB, Network, Serial, Parallel
- Operating Temperatures - 25° C to +70° C
- Supports Windows © Based Drivers
- Clamshell Design for Easy Maintenance
- Continuous Paper Roll
- Long Life Auto Cutter
- Patented Kiosk Printer Design
- Compact Foot Print
- Rugged, All-Metal Construction
- Factory Warranty

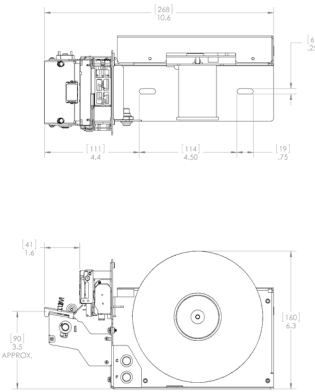
OPTIONS

- Available With or Without Document Presenter
- External barrel Jack Power Supply (98-240 VAC/ 47-63 HZ) with integrated power switch
- Paper Rolls
- Adapter Cables: Serial, Parallel,
- Paper Delivery Bezels

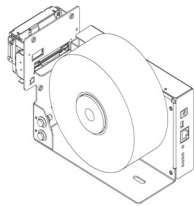
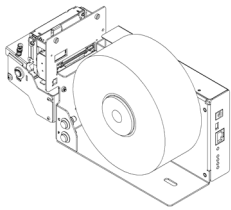
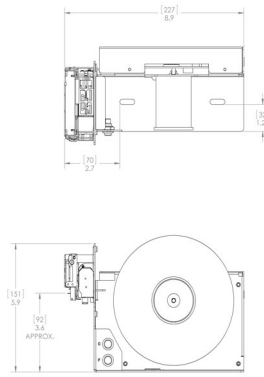
Powered By

FUJITSU

PRESENTER



NON-PRESENTER



Rugged Design for Extreme Temperatures

To allow use in extreme temperatures, the printer was designed to have an operating temperature range of -25 to $+70$ degrees C, solving a key challenge with thermal printing in terms of creating consistent images in cold environments.

Utilizes Telpar's Patented Loop Presenter

The Stealth MPT-2822 offers the Telpar patented looping presenter, flip-up mechanism, and a retract-and-retain option for trouble free receipts and coupons.

Auto-Cutter

The printer is available with or without a built in auto cutter that provides a full or (partial cut for non presenter models).

Sensors

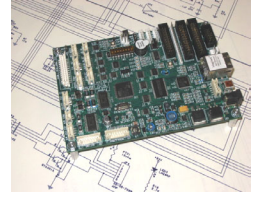
Sensors indicate Out Of Paper, Black Mark (For Top Of Form), Fixed Paper Low, Adjustable Paper low optional), Heads Up, Jam detect (presenter option only). These new enhancements were designed for cost conscious applications where reliability is important.

Graphic Capabilities

This product is closely aligned with key end user requirements. Telpar printers come complete with Windows drivers, enabling users to easily print graphics, text, barcodes, etc from Windows applications and other prevalent programs. Print drivers are available for Windows 2000/XP.

Firmware Upgradable

The MTP-2822 firmware can be reflashed with upgrades when connected to a host PC. The thermal printer also has a flash memory allowing it to store and print logos making it a great choice for applications like hospitality, retail, ticketing and coupons. All printer drivers are available on www.telpar.com website for download.



Telpar Printer Solution Capabilities

Telpar's expertise in providing world class, customer specific, OEM mini-printer solutions is exemplified by this partial listing of Telpar capabilities.

- **Excellent Organization** Telpar is a creative, flexible, quick-response organization that offers customers "Design to Need" mini-printer solutions.
- **Staging** Telpar offers cost effective staging of its mini-printer solutions for drop shipment to any number of designated locations. Telpar tailors these programs to specific customer's system staging requirements.



Service & Support

Telpar provides direct warranty and non-warranty repair and service on all Telpar printers through our Depot Repair Center located in Dover, NH.

TELPAR
Your Printer Solutions Company

Telpar
187 Crosby Road
Dover, NH 03820
800-872-4886 603-742-7095 X 227
Fax: 603-742-9938

www.telpar.com info@telpar.com