

MTP 600 SERIES

MODULAR THERMAL PRINTERS

- 2", 3" AND 4" (60 MM, 80 MM AND 114 MM) DIRECT THERMAL TECHNOLOGY
- 200 DPI (80 DPMM) RESOLUTION
- PRINT SPEED UP TO 3.1" (79 MM) PER SECOND
- LONG-LIFE INDUSTRIAL QUALITY AUTOCUTTER
- SOLID, ALL-METAL CONSTRUCTION
- COMPACT FOOTPRINT

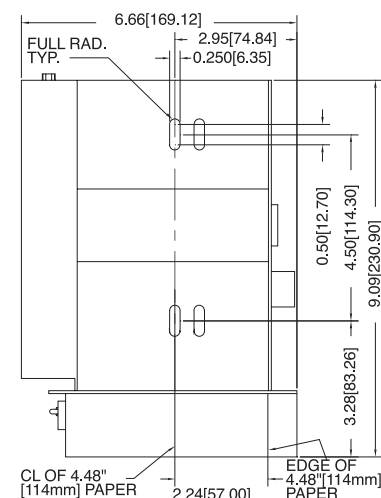
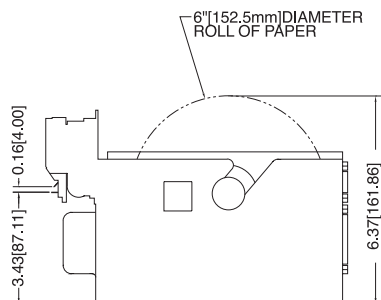
The Telpar MTP-600 Series printers are designed for the high performance, size and durability of cut and drop applications. The compact size and high performance characteristics, combined with the extra-rugged component design, also make it an ideal choice for kiosk applications. The four models in the series offer a choice of paper widths with serial or parallel interfaces. A Microsoft® Windows® driver is an available option. International character sets include: U.S., French, German, English, Danish, Swedish, Italian, Spanish, Japanese, Norwegian and Latin American. The units are compatible with the ESC/POS™ feature set. Other features include inverted print mode, bit image mode, reverse video mode and black dot sensing. MTP-600 printers are the perfect choice for parking ticket dispensers, ATMs, gaming and interactive media kiosks.

OPTIONS

- EXTERNAL AUTO RANGE POWER SUPPLY (98-240 VAC / 47-63HZ)
- PAPER ROLLS
- INTERFACE CABLES
- PAPER DELIVERY BEZELS

TECHNICAL

SPECIFICATIONS		MTP-620	MTP-630	MTP-640
Printing	Printing method	Thermal-sensitive line dot method		
	Dot structure	448 dots/line	576 dots/line	832 dots/line
	Dot pitch (horizontal)	0.125 mm (8 dot/mm)-Dot density		
	Dot pitch (vertical)	0.125 mm (8 dot/mm)-Line feed pitch		
	Maximum printing speed			
	Effective printing area	56 mm	72 mm	104 mm
Paper	Paper	Thermal Sensitive paper (6 inch diameter)		
	Paper width	60 mm	85 mm	114 mm
	Paper thickness	60.100 µm		
Auto paper cutter type	Full or partial (Software control)			
Character composition, dimensions (WxH), No. of characters per line		12 x 24 dots 1.5 x 3.0 mm 37 columns	12x24 dots 1.5x3.0 mm 48 columns	12x24 dots 1.5x3.0 mm 69 columns
		10 x 24 dots 1.25 x 2.0 mm 44 columns	10 x 24 dots 1.25 x 2.0 mm 57 columns	10 x 24dots 1.25 x 2.0 mm 83 columns
Interface	Centronics, RS-232C			
Power supply requirements	DC 24V± 5%			
Expected Life	Mechanism	Pulse durability: 1x10 ⁹ pulse/dot (standard driving method) Wear resistance: 50 km (at 25% printing ratio)		
	Cutter	5 x 10 ⁹ cuts	5 x 10 ⁹ cuts	3 x 10 ⁹ cuts
Environmental Protection	Operating temperature	0 to +50°C		
	Operating humidity	20 to 85% RH (No condensation)		
	Storage temperature	-20 to +60°C		
	Storage humidity	5 to 95% RH (No condensation)		
Paper out & black mark detection	By photo interrupter			



Dimensions in inches (mm)

POWERED BY
FUJITSU