

The SP-327 Receipt Thermal Printer is a heavy gauge modular thermal printer designed as an economical solution to the demands of unattended hardcopy devices and applications.

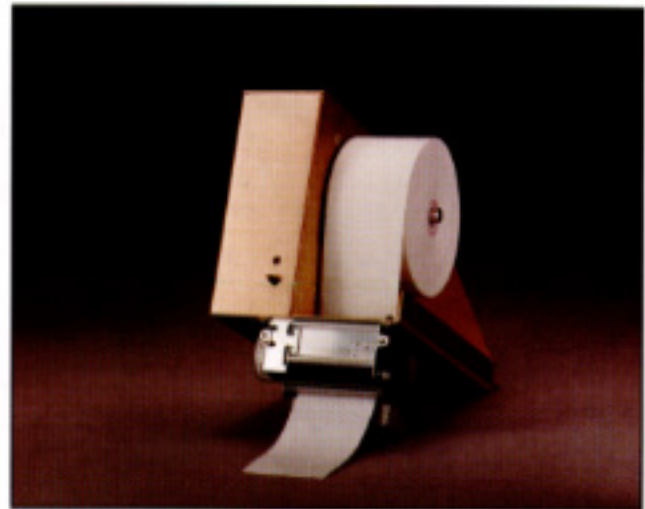
This printer will print 24 or 48 columns per line at a rate of 10 lines/second and contains a durable guillotine cutter (400,000 cut MCBF) integrated as a standard feature. The RS-232C interface supports full reverse channel communications providing the host with printer conditions such as paper low, paper out, cutter jam and buffer status. Internal bar code fonts and characters are expandable. Printing of available barcodes and character sets in portrait and landscape modes is included.

### Features

- Durable all metal construction
- Integrated long life guillotine paper cutter
- Fixed thermal printhead
- Paper out sensor
- 8 dots/mm (203 dots/in)
- Four standard character sets
- Paper low sensor

### Applications

- Toll booth receipts
- Discount coupons in super markets
- Cash vouchers for exchanged goods
- Automated collection machines
- Parking validation slips
- Gaming machine receipts
- Gas station pump receipts



### Specifications

- Dimensions: (WxHxD)  
140 mm x 203 mm x 229 mm  
(5.5 in x 8.0 in x 9.0 in)
- Operating Temperature: 0° C to 50° C  
(32° F to 122° F)
- Storage Temperature: -20° C to 60° C  
(-4° F to 140° F)
- 18 VAC rms or 24 VDC
- RS-232C, DB9
- 7K character buffer

### Options

- Real time clock
- 120 VAC 60Hz or 220 VAC 50 Hz input power supply

### Telpar, Inc.

4181 Centurion Way

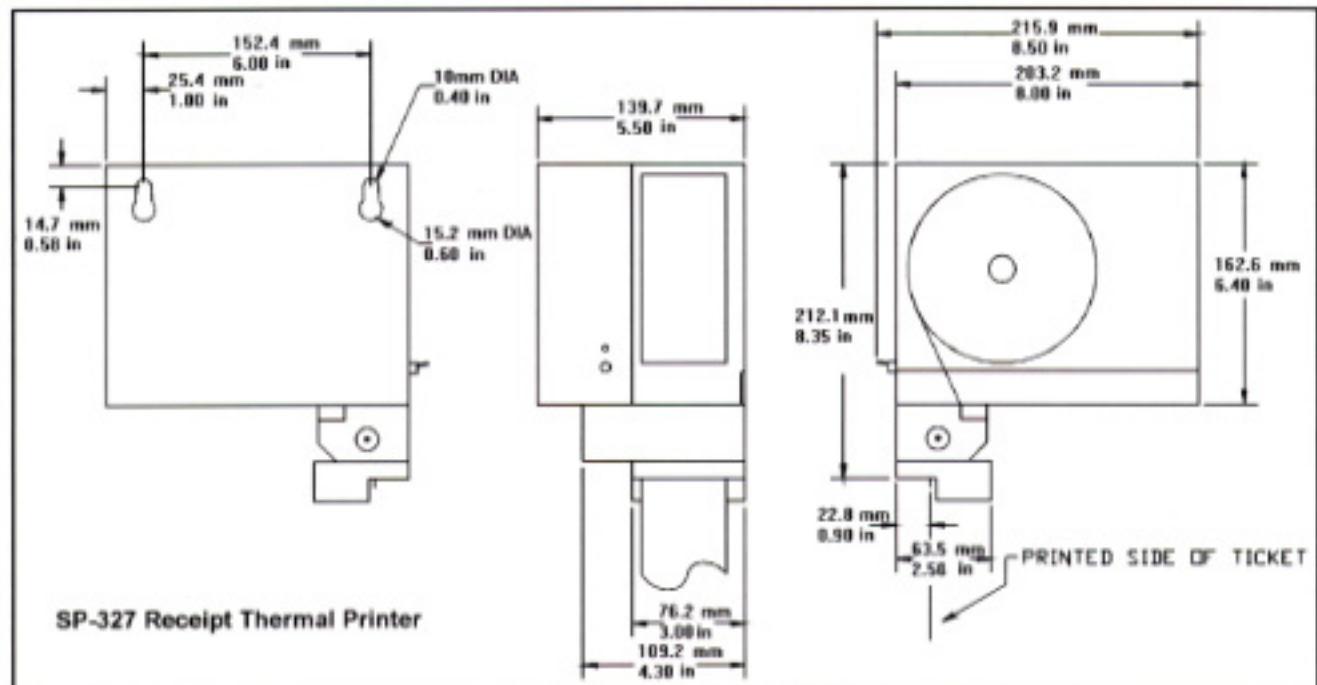
Dallas, Texas 75244-2312 U.S.A.

972-233-6631 or 800-872-4886 • 800-KIOSK-99

Fax: 972-233-8947 [www.telpar.com](http://www.telpar.com) [info@telpar.com](mailto:info@telpar.com)

Tel-SP-327-S-A Rev 5/97

### Dimensions



### Specifications

- Dimensions: (WxHxD)  
140mm x 203 mm x 229 mm  
(5.5 in x 8.0 in x 9.0 )
- Operating Temperature: 0° C to 50° C  
(32° F to 122° F)
- Storage Temperature: -20° C to 60° C  
(-4° F to 140° F)
- 18 VAC rms or 24 VDC
- RS-232C, DB9
- 60 mm (2.35 in) paper width
- 24 or 48 columns
- 7K character buffer
- 10 lines per second
- Integral guillotine paper cutter
- Paper low detection

### Actual Print Samples



Specifications subject to change without notice.

### Telpar, Inc.

4181 Centurion Way

Dallas, Texas 75244-2312 U.S.A.

972-233-6631 or 800-872-4886 • 800-KIOSK-99

Fax: 972-233-8947 [www.telpar.com](http://www.telpar.com) [info@telpar.com](mailto:info@telpar.com)

Tel-SP-327-S-B Rev 5/97