



# EPM 203 MRS Series

Ultra compact bucket printer line



2" paper bucket mechanism  
in 5 volt.  
The smallest easy loading  
printing solution

## FEATURES

- 2 inch paper width.
- 3 - 7.2 volt.
- Easy loading paper.
- Printing speed up to 80 mm/s.
- Plug and play capability greatly reduces time-to-market.
- Optional control board RS232 and centronics integrated interface.
- Very compact size.
- Full native and standard Windows drivers.

## APPLICATIONS

- Portable printers and terminals.
- Hand held terminals.
- Measuring instruments and analyzers.
- EFTs (electronic funds transfer).
- Data terminal devices.
- Medical equipments.
- Weighing machines, scales.
- Taxi meters.



# EPM 203 MRS Series

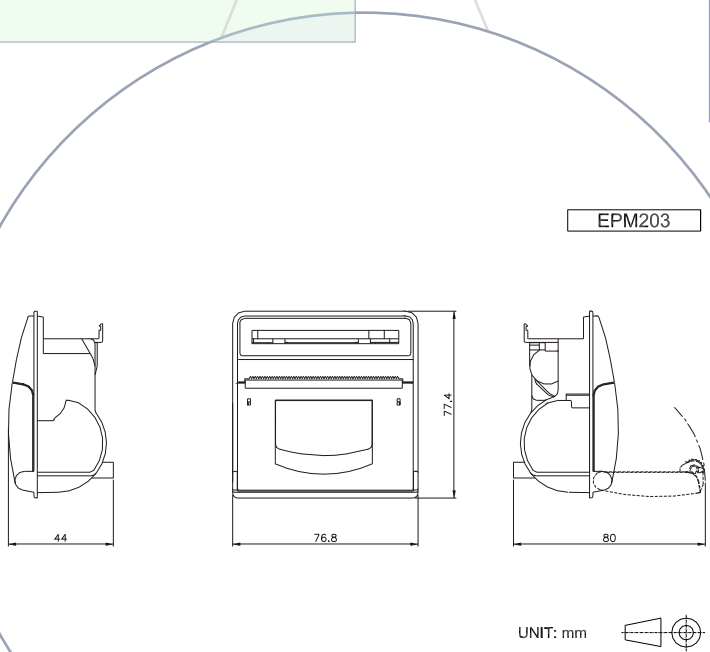
## PAPER



## OTHER APS PRODUCTS



## WITHOUT CONTROLLER BOARD



### SPECIFICATIONS

### EPM203

### EPM203-MRS

SPECIFICATIONS	EPM203	EPM203-MRS
Print method	Thermal	Thermal
Number of dots	384	384
Resolutions (dots/mm)	8	8
Printing width (mm)	48	48
Paper width (mm)	58	58
Max. paper thickness (μ)	80	80
Paper loading	Easy loading	Easy loading
Printing speed (mm/s)	80	50
Paper detection	Opto sensor	Opto sensor
Temperature detection	Thermistor	Thermistor
Head-up or Cover-open detection	Combined with opto sensor	Combined with opto sensor
Voltage range (Logic/Head)	3-5.25 / 3-6.6	single 3-7.2
Dot resistance (Ohm)	116 ± 10%	
Energy per dot (mJ)	0.12	0.15
Stepper motor (Ohm)	Bipolar (12)	Bipolar (12)
Weight (g)	95	95
Life/reliability	50km/100M pulses	50km/100M pulses
Operating temperature (C°)	0 to 50	0 to 50
Operating humidity (%)	20 to 85 non cond.	20 to 85 non cond.
Dimensions (WxDxH mm)	76.8x77.4x43.5	76.8x77.4x43.5
Peak head consumption	-	0,6 to 5 software programmable
Character set	-	3
Character size	-	9x20, 13x24, 8x16
Characters per line (max.)	-	48
Interfaces	-	RS232C, TTL, Centronic
Graphics	-	5 modes
Barcodes	-	UPC A-E, EAN 13-8, CODE 39, ITF 2/5, Codabar, Code 128 A-B-C
Windows drivers	-	95 / 98 / ME / XP / NT / 2000
Black mark detection	-	Y
Zero power mode (sleep mode)	-	Y
Auto wake-up on received data	-	Y
Functional keyboard	-	Y

## SW TOOLS

### WINDOWS DRIVERS

