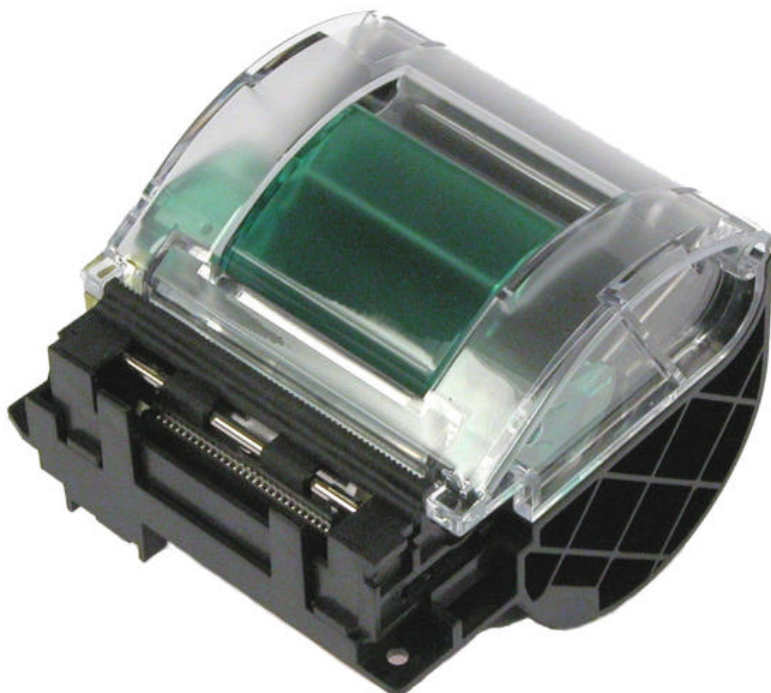




EPM 200 Series

Compact bucket printer line



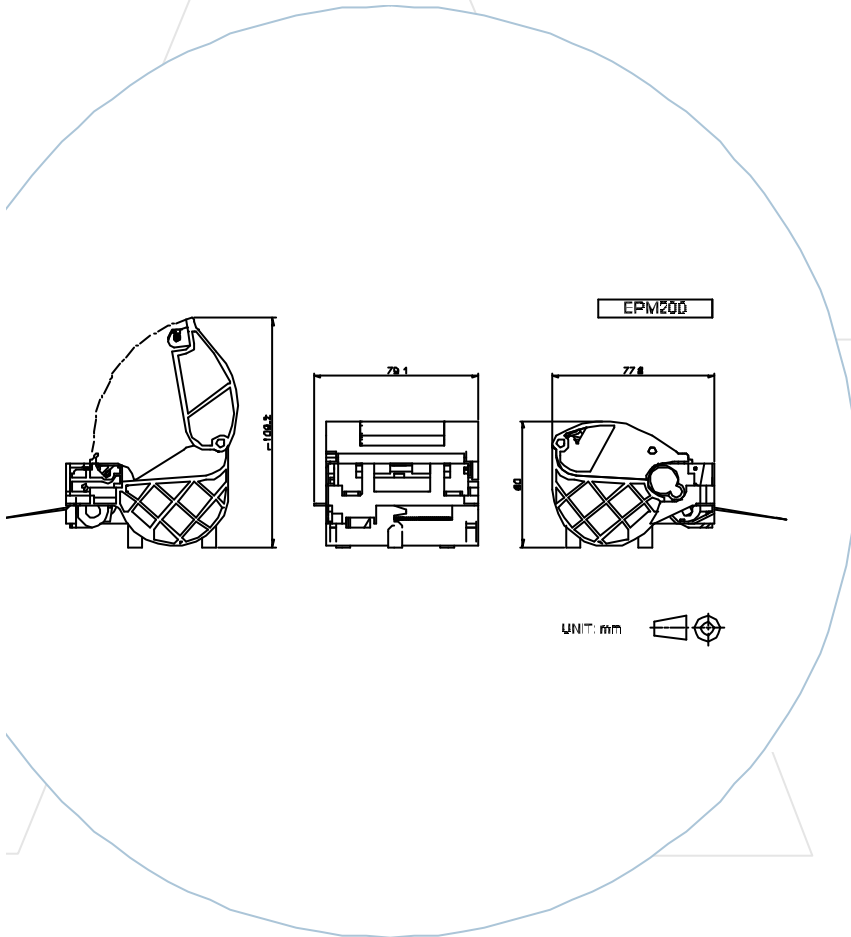
2" paper width bucket mechanism
in 5 & 24 volts
which shortens time to market

FEATURES

- 2 inch paper width.
- 5 and 24 volts.
- Integrated paper bucket.
- Easy loading paper.
- High speed up to 80mm/s.
- Plug and play capability greatly reduce time-to-market.
- Panel mount version available.
- Integrated tear-bar.

APPLICATIONS

- Portable printers and terminals.
- Hand held terminals.
- Cash registers.
- Fiscal printers.
- Gas (petrol) pumps.
- Measuring instruments and analyzers.
- POS (point of sale).
- EFTs (electronic funds transfer).
- Data terminal devices.
- Medical equipments.
- Weighing machines, scales.
- Taximeters.



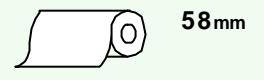
▶ OTHER APS PRODUCTS



▶ PANEL MOUNT VERSION

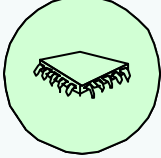


▶ PAPER



▶ OPTIONS

CHIPSET



SPECIFICATIONS	EPM205-LV	EPM205-HS	EPM208-LV	EPM208-HS	EPM224
Printmethod	Thermal	Thermal	Thermal	Thermal	Thermal
Numberofdots	384	384	384	384	384
Resolutions(dots/mm)	8	8	8	8	8
Printingwidth(mm)	48	48	48	48	48
Paperwidth(mm)	58	58	58	58	58
Max.paperthickness(μ)	80	80	80	80	80
Paperloading	Easyloading	Easyloading	Easyloading	Easyloading	Easyloading
Printingspeed(mm/s)	80	80	80	80	80
Paperdetection	Optosensor	Optosensor	Optosensor	Optosensor	Optosensor
Temperatredetection	Thermistor	Thermistor	Thermistor	Thermistor	Thermistor
Head-uporCover-opendetection	Combinedwithoptosensor				
Voltagerange(Logic/Head)	2.7-5.25/3-7.2	2.7-5.25/4.5-8.5	2.7-5.25/3-7.2	2.7-5.25/5-8.5	3.15-5.25/18.5-26.5
Dotresistance(Ohm)	123±4%	176±4%	123±4%	176±4%	3000±3%
Energyperdot(mJ)	0.15	0.13	0.15	0.13	0.22
Steppermotor(Ohm)	Bipolar(12)	Bipolar(12)	Bipolar(12)	Bipolar(12)	Bipolar(140)
Weight(g)	95	95	95	95	95
Life/reliability	50km/100Mpulses	50km/100Mpulses	50km/100Mpulses	50km/100Mpulses	50km/100Mpulses
Operatingtemperature(C°)	0to50	0to50	0to50	0to50	0to50
Operatinghumidity(%)	20to85noncond.	20to85noncond.	20to85noncond.	20to85noncond.	20to85noncond.
Dimensions(WxDxHmm)	79x78x60	79x78x60	79x78x60	79x78x60	79x78x60